

A

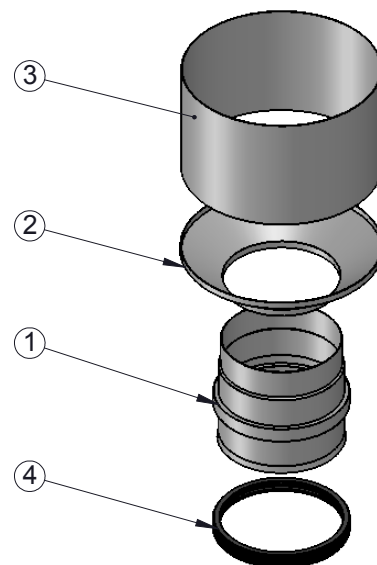
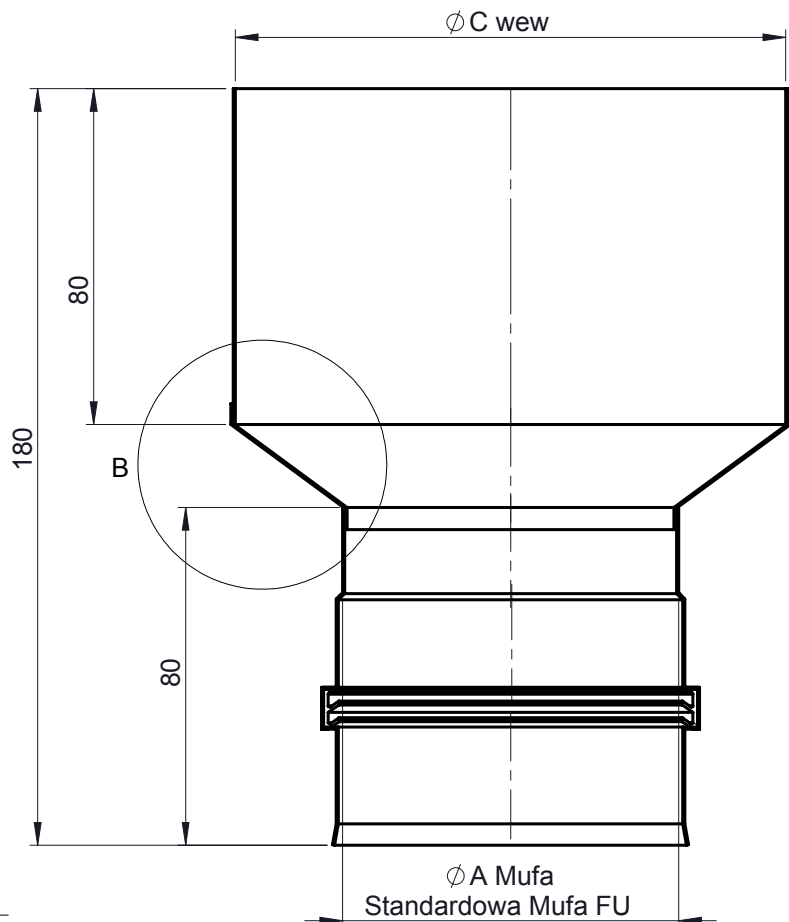
B

C

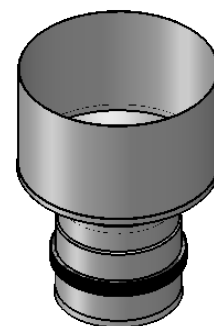
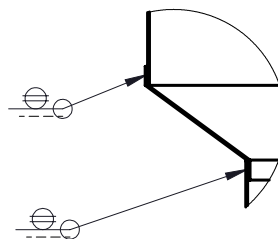
D

E

F



SZCZEGÓŁ B
SKALA 1 : 2



\varnothing	080131	080151
$\varnothing A$	80	80
$\varnothing B$	131	151
$\varnothing A$	413,2	476,3
kg	0,29	0,33

4	Uszczelka	ALBI26080	-	-	1
3	DWI 1		1.4404(316L)-2B(IIIC)	0,6	1
2	DWI 2		1.4404(316L)-2B(IIIC)	0,6	1
1	DWI 3		1.4404(316L)-2B(IIIC)	0,6	1
NO	NAME / DIN	NAV	MATERIAL	THICKNESS	QTY

notes:

DIN ISO 13920 Tolerances B

revisions-no.

A

mm / kg

	date	name
drawn by	29.03.18	SWA
checked by	29.03.18	MGR
approved by	29.03.18	JWY
modified by		

Jeremias
CHIMNEY SYSTEMS

description Złączka rozszerzeniowa kotła

code ALBI 2340 \varnothing

drawing-no. 01-02-3208-0000

scale

1:3

format

A4

sheet

1 of 1

