

A

B

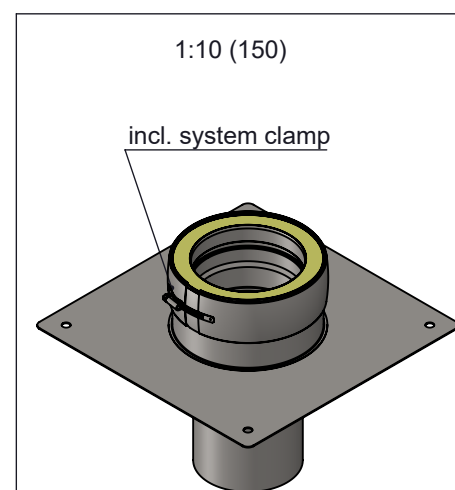
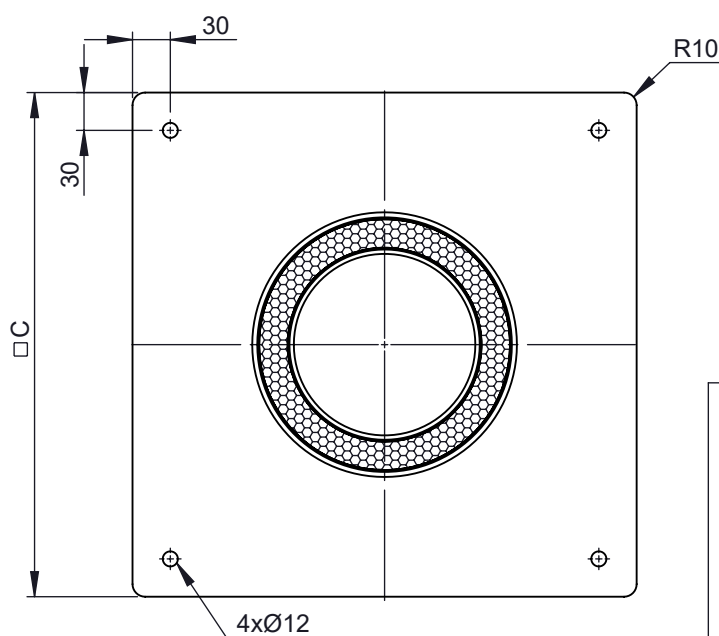
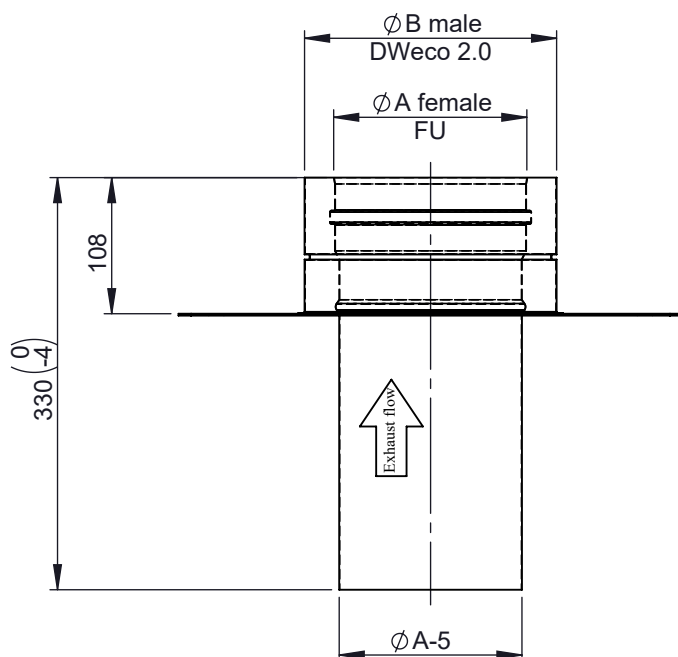
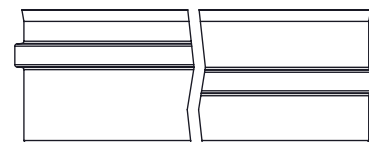
C

D

E

F

Possible type of female part "FU"



\varnothing	080	100	115	120	130	140	150	160	180	200	225	250	300	350	400	450	500	550	600
A	80	100	115	120	130	140	150	160	180	200	225	250	300	350	400	450	500	550	600
B	130	150	165	170	180	190	200	210	230	250	275	300	350	400	450	500	550	600	650
C	400												450	500	550	600	650	700	750
kg	2,43	2,53	2,60	2,62	2,67	2,71	2,75	2,79	2,86	2,92	2,99	3,05	3,63	5,24	5,99	6,76	7,54	8,35	9,17

notes:

ENCD

DIN ISO 13920 Tolerances B

revisions-no.

A

mm / kg

date

name

drawn by

25.10.19 JMA

checked by

25.10.19 SWA

approved by

25.10.19 JWY

modified by

 CHIMNEY SYSTEMS
description
Base plate for chimney raise
(round insert sleeve)code
215-DWECO08drawing-no.
02-35-1077-205

scale

1:6

format

A4

sheet

1 of 1

