

A

B

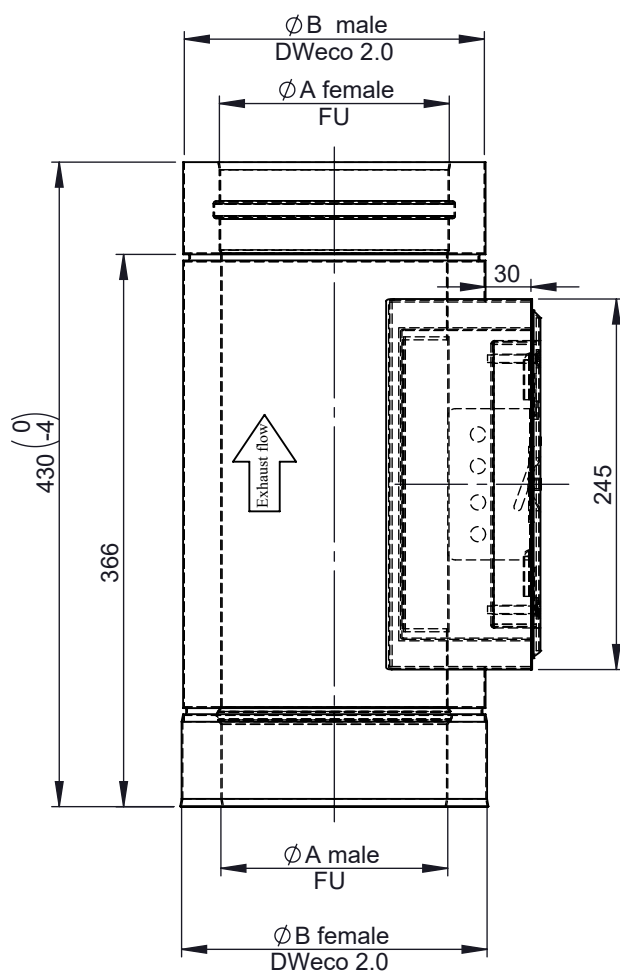
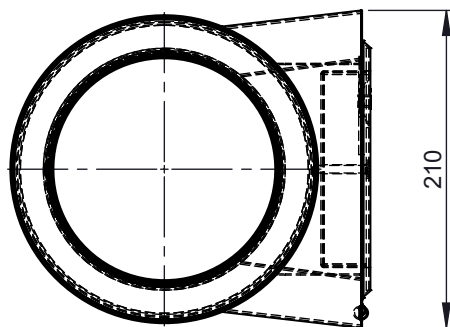
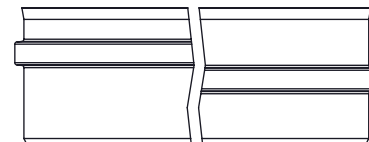
C

D

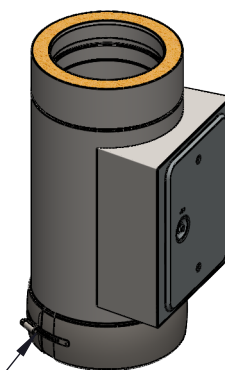
E

F

Possible type of female part "FU"



1:8 (0150)



incl. system clamp

$\varnothing$	0080	0100	0115	0120	0130	0140	0150	0160	0180	0200	0250	0300	0350	0400	0450	0500	0550	0600
<b>A</b>	80	100	115	120	130	140	150	160	180	200	250	300	350	400	450	500	550	600
<b>B</b>	130	150	165	170	180	190	200	210	230	250	300	350	400	450	500	550	600	650
<b>kg</b>	2,7	2,9	3,1	3,2	3,4	3,5	3,6	3,8	4,0	4,3	5,0	5,6	6,3	7,0	7,7	8,4	9,1	9,8

notes:

ENCD

DIN ISO 13920 Tolerances B

revisions-no.

A

mm / kg

date

name

drawn by

04.10.19

JMA

checked by

04.10.19

SWA

approved by

04.10.19

JWY

modified by

**Jeremias**<sup>®</sup>  
CHIMNEY SYSTEMS

description Pipe element with clean-out opening

code **215-DWECO10**

drawing-no. **02-35-1510-205**

scale

1:1

format

A4

sheet

1 of 1

