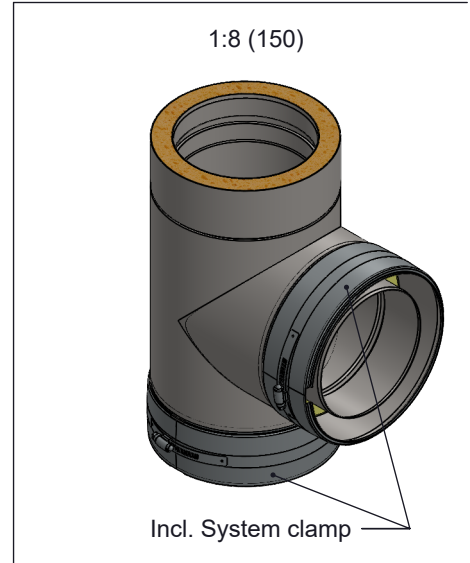
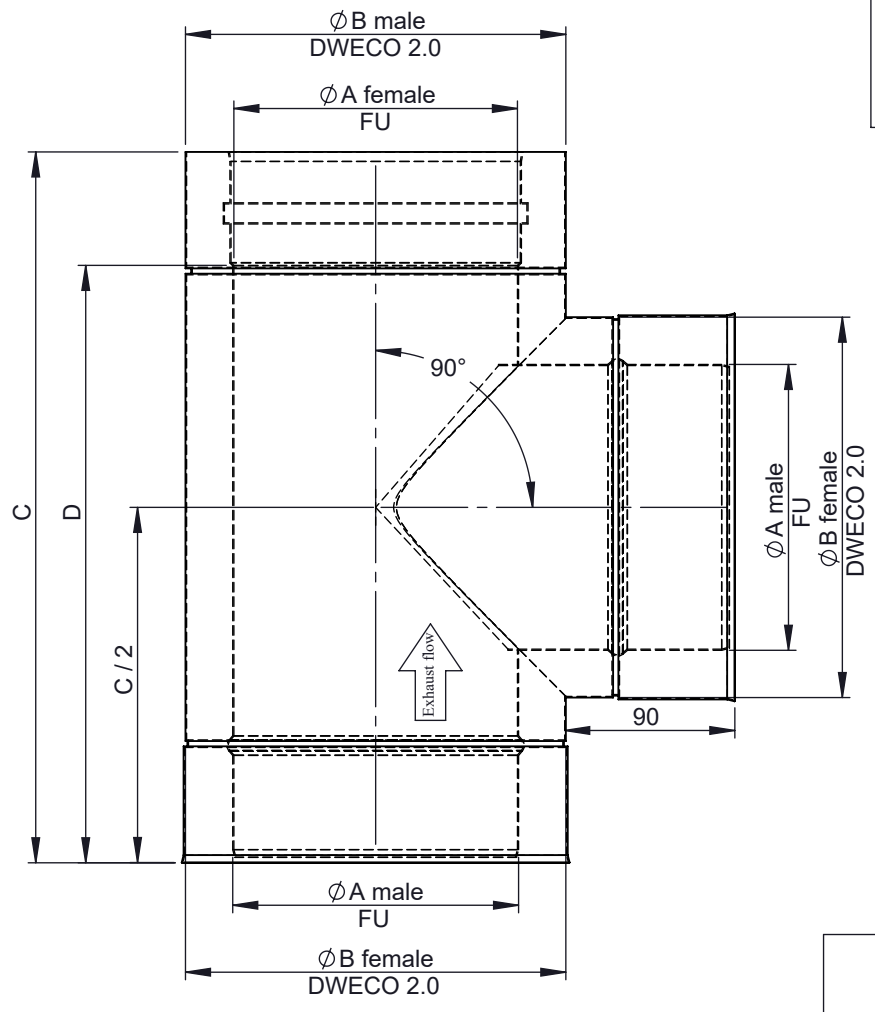
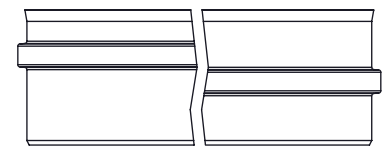



Possible type of female part "FU"



Ø	080	100	115	120	130	140	150	160	180	200	250	300	350	400	450	500	550	600
A	80	100	115	120	130	140	150	160	180	200	250	300	350	400	450	500	550	600
B	130	150	165	170	180	190	200	210	230	250	300	350	400	450	500	550	600	650
C	276	329			376					446	496	600	680	730	780	830		
D	216	269			316					386	436	540	620	670	720	770		
kg	1,5	2,0	2,3	2,3	2,5	2,9	3,1	3,3	3,7	4,6	5,6	7,3	12,0	13,7	17,0	19,9	23,1	26,5

notes: ENCD	DIN ISO 13920 Tolerances B				 CHIMNEY SYSTEMS		scale
	revisions-no. A		mm / kg				1:8
	date		name		description Pipe tee 90°	format	
	drawn by		MSA			A4	
	checked by		SWA			sheet	
	approved by		JWY			1 of 1	
modified by				code	215-DWECO11H Ø		
				drawing-no.	01-02-35-2200-215	