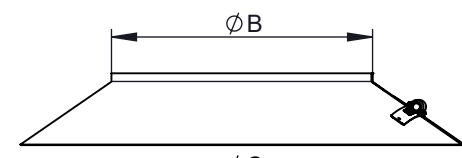
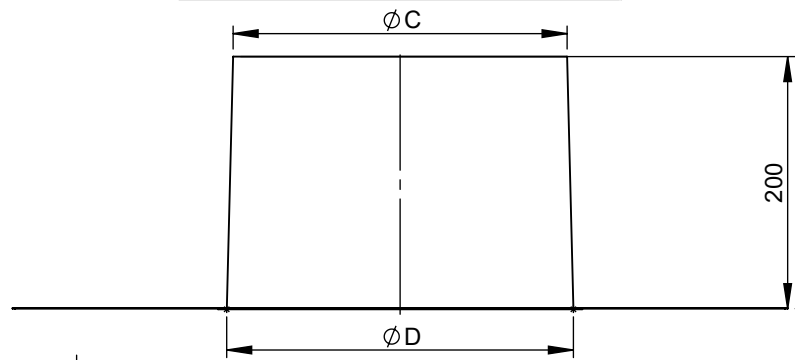


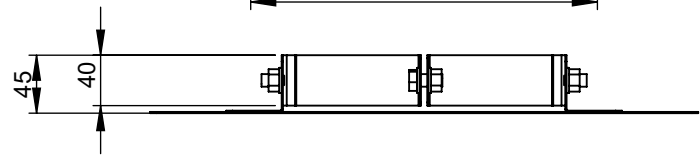
A



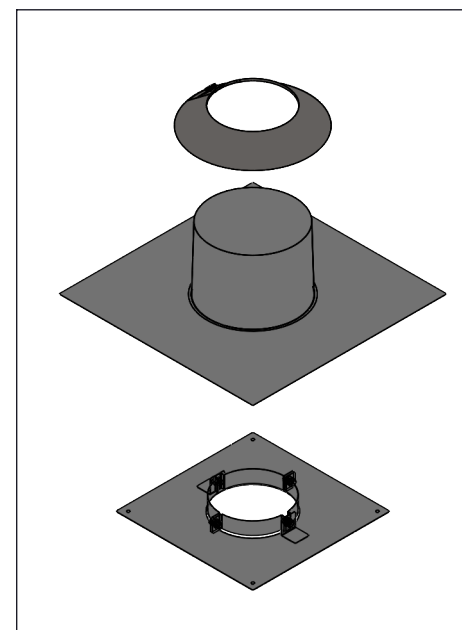
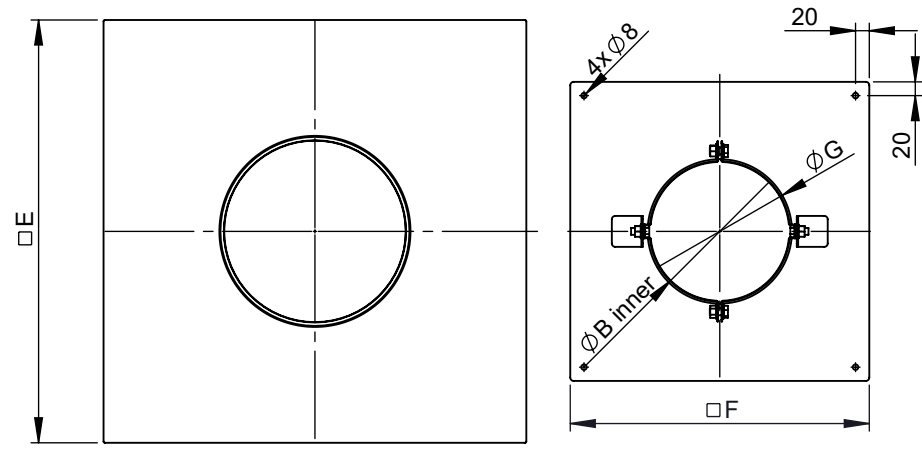
B



C





D



E

Ø	<b>100</b>	<b>130</b>	<b>150</b>	<b>180</b>	<b>200</b>	<b>250</b>	<b>300</b>
<b>B</b>	150	180	200	230	250	300	350
<b>C</b>	200	230	250	280	300	350	400
<b>D</b>	235	265	280	315	335	385	435
<b>E</b>	565	595	615	645	665	715	765
<b>F</b>	385	415	435	465	485	535	585
<b>G</b>	160	190	210	140	260	310	360

F

notes:	DIN ISO 13920 Tolerances B			 Jeremias® CHIMNEY SYSTEMS	scale
	revisions-no.				1:10
	date			description	format
	drawn by	08.09.20	JMA	crossing the ceiling	A4
	checked by	08.09.20	SWA	code	sheet
	approved by	08.09.20	JWY	23923	1 of 1
modified by			drawing-no.		
			09-23923		