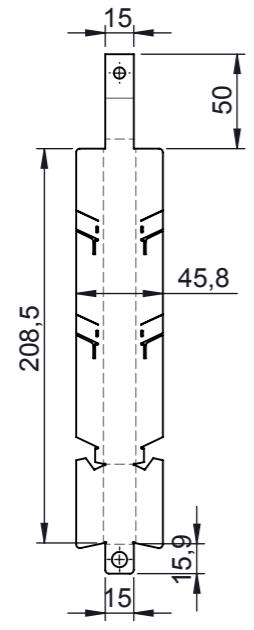
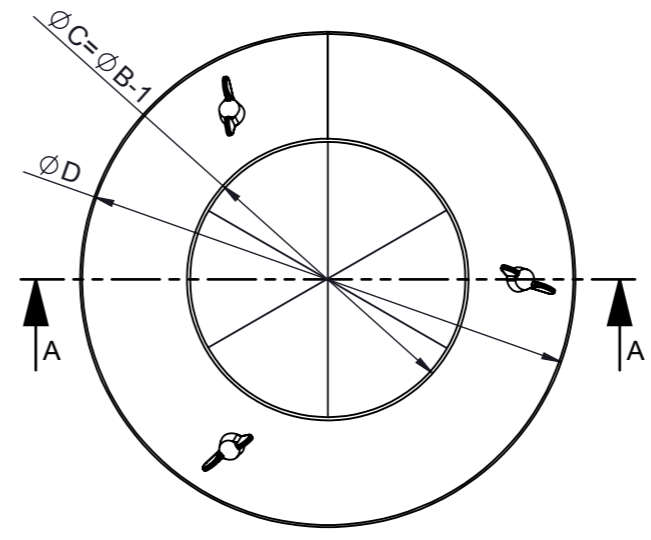
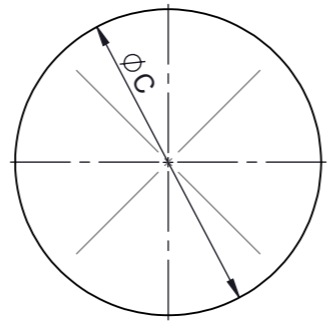


TABLE OF CORRECTIONS (LAST FIVE)					
REVISION	CORRECTION	WZT NO	DESCRIPTION	DATE	NAME
1	A	213/2015	Zmiana wymiaru A z 297 na 197	2015-09-22	SFR
2	B	180/2016	Zmiana: 1) Wysokości elementu, 2) Stożka na dekiel	2016-12-05	JAD

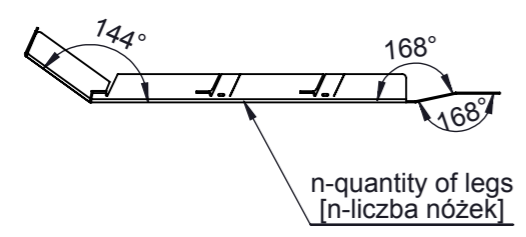
Leg (pos. 5)  
Noga (poz. 5)



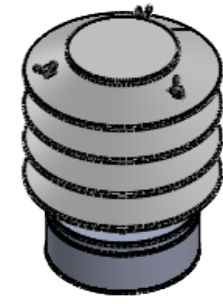
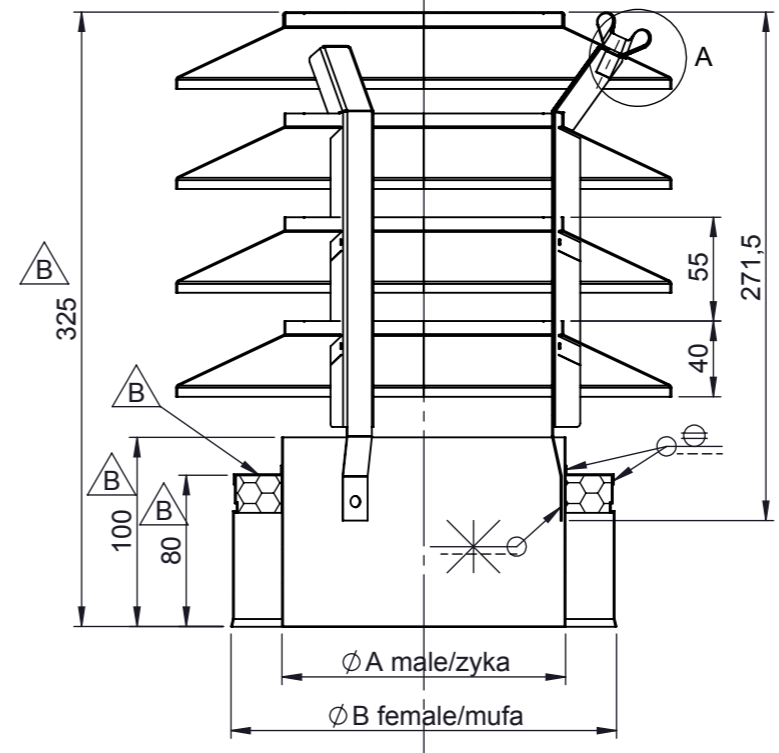
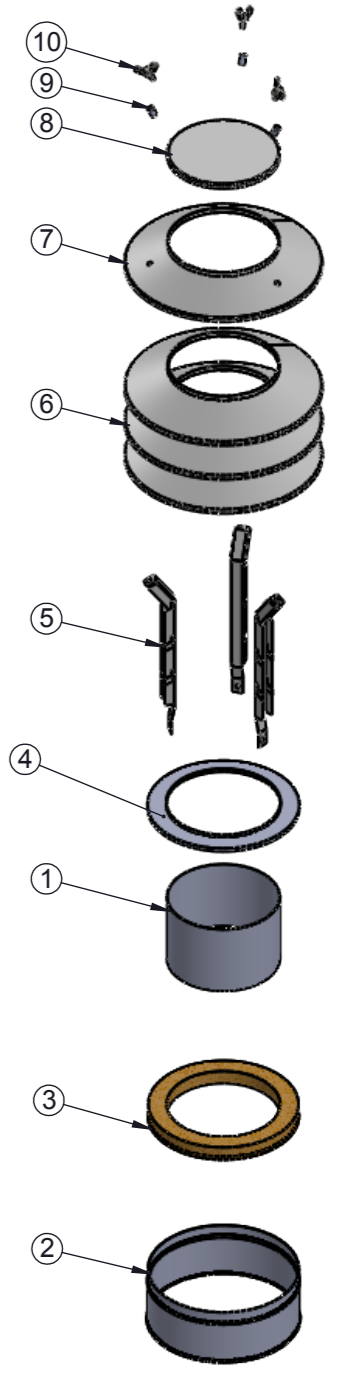
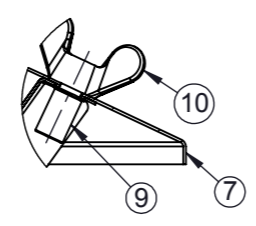
Top lid (pos.8)  
Dekiel górny (poz. 8) 144°



SECTION A-A



DETAIL A  
SCALE 1 : 2



Ø	80	100	115	120	130	140	150	160	180	200	225	250	300	350	400	450	500	600	
A	77	97	112	117	127	137	147	157	177	197	222	247	297	347	397	447	497	597	
B	130	150	165	170	180	190	200	210	230	250	275	300	350	400	450	500	550	650	
Q C	94	113	125	133	140	150	160	170	190	210	235	260	310	360	410	460	510	610	
D	186	206	221	226	236	246	256	266	286	306	331	356	406	456	506	556	606	706	
Q D	220,49	242,61	259,2	256,06	275,8	287,22	297,22	311,99	331,1	353,22	380,87	408,53	463,83	519,13	574,44	621,54	695,2	795,67	
t1	0,6											0,8							
n	3														5	6			

NO	NAME / GEO / DIN / NAV	MATERIAL	THICKNESS	QTY
10	wing screw [sruba motykowa] M6x10 (DIN316)	A2	-	n
9	rivet nut [nitonakrętka] M6 (WS9314)	A2	-	n
8	Top lid [dekiel górny]	1.4404 IIID	0,8	1
7	End lid [dekiel zakończeniowy]	1.4404 IIID	0,8	1
6	Lid [dekiel]	1.4404 IIID	0,8	3
5	Leg [nóżka]	1.4404 IIID	0,8	n
4	Lid [dekiel]	1.4301 IIID	0,6	1
3	ISO pipe [rua ISO]	mineral wool 120 kg/m3	-	1
2	DWA pipe [rura DWA]	1.4301 IIID	t1	1
1	DWI pipe [rura DWI]	1.4404 IIIC	t1	1
ML				

**Jeremias**  
CHIMNEY SYSTEMS

All dimensions without tolerances are produced according to Jeremias internal tolerances

All rights reserved

Material inside/outside	/	
drawn by	2014-07-22	SFR
checked by	2014-07-22	PSA
checked by	2014-07-22	
checked by		
approved by	2014-07-22	JWY

Description	End of cup with HUBO2E [Zakończenie komina z HUBO2E]	Weight	kg
Code	DWeco2.0 337	Format	A3
Production code		Sheet	1 of 1
Drawing no.	214 - 1418 - 02 - 2P	Revision	Type

© Jeremias GmbH. All rights reserved, also regarding any disposal, exploitation, distribution, as well as in the event of applications for industrial property rights.