

A

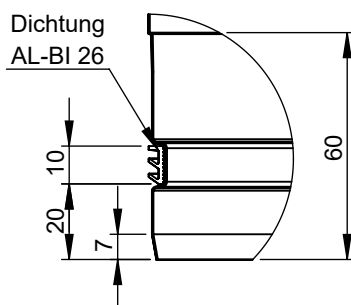
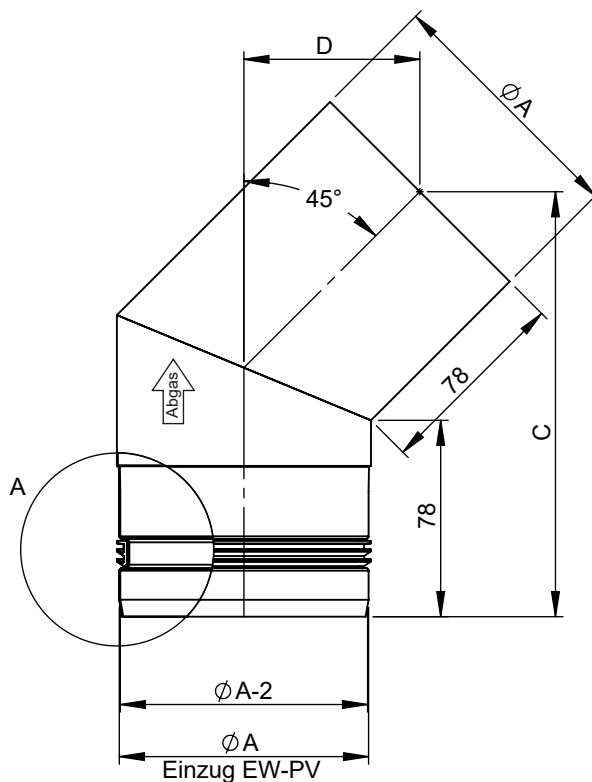
B

C

D

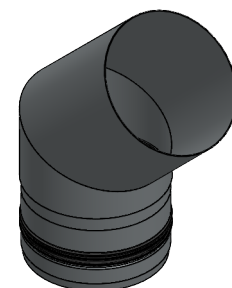
E

F




A (1 : 2)

M 1:5 (Ø100)

**Oberfläche X:****15-Hitzebeständige Silikonfarbe Schwarz 702.284****25-Hitzebeständige Silikonfarbe Gussgrau 702.288**

Ø	080	100
A	80	100
C	162	168,5
D	67	70
t	0,4	
kg	0,16	0,21

material: inside/outside	1.4404 (316L)	surface: inside/outside	2R (3D)	DIN ISO 13920 Tolerances B			 CHIMNEY SYSTEMS	scale	1:3
revisions-no.	A3	mm / kg		description	Winkel 45° starr	format		A4	
notes:		date	24.07.2017	name	KAB	code	X-EWPV018	sheet	1 of 1
		drawn by		checked by		drawing-no.	06-21-6100-000		
		approved by		modified by					