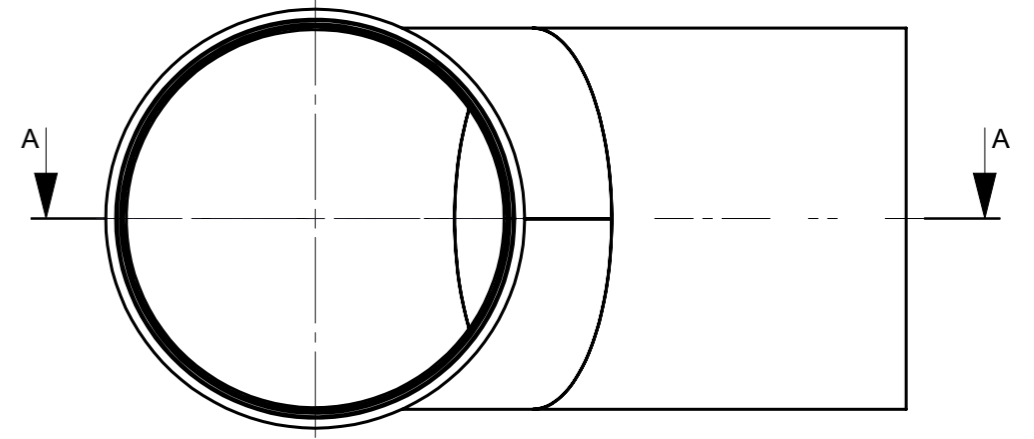
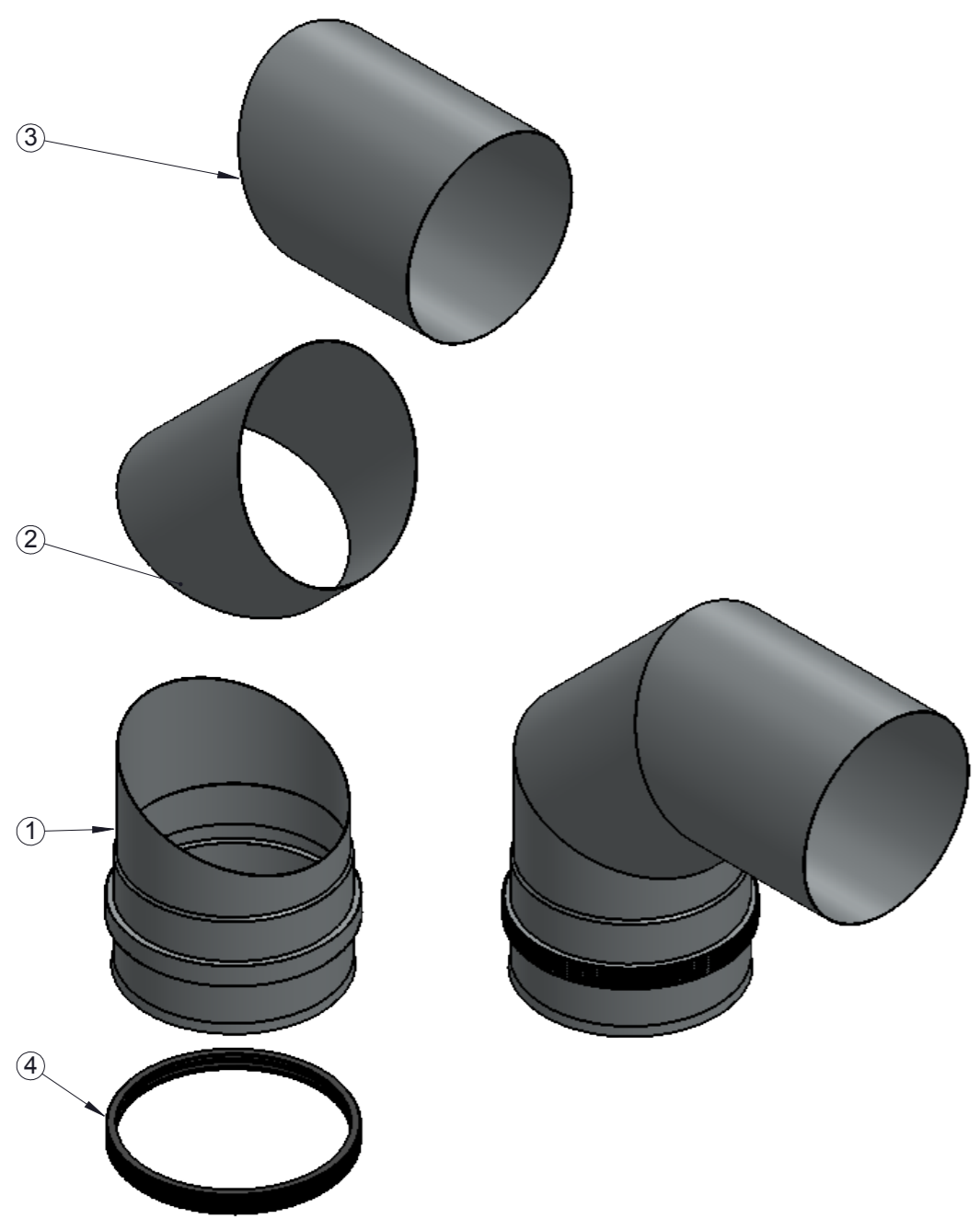
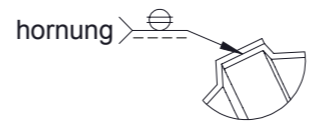


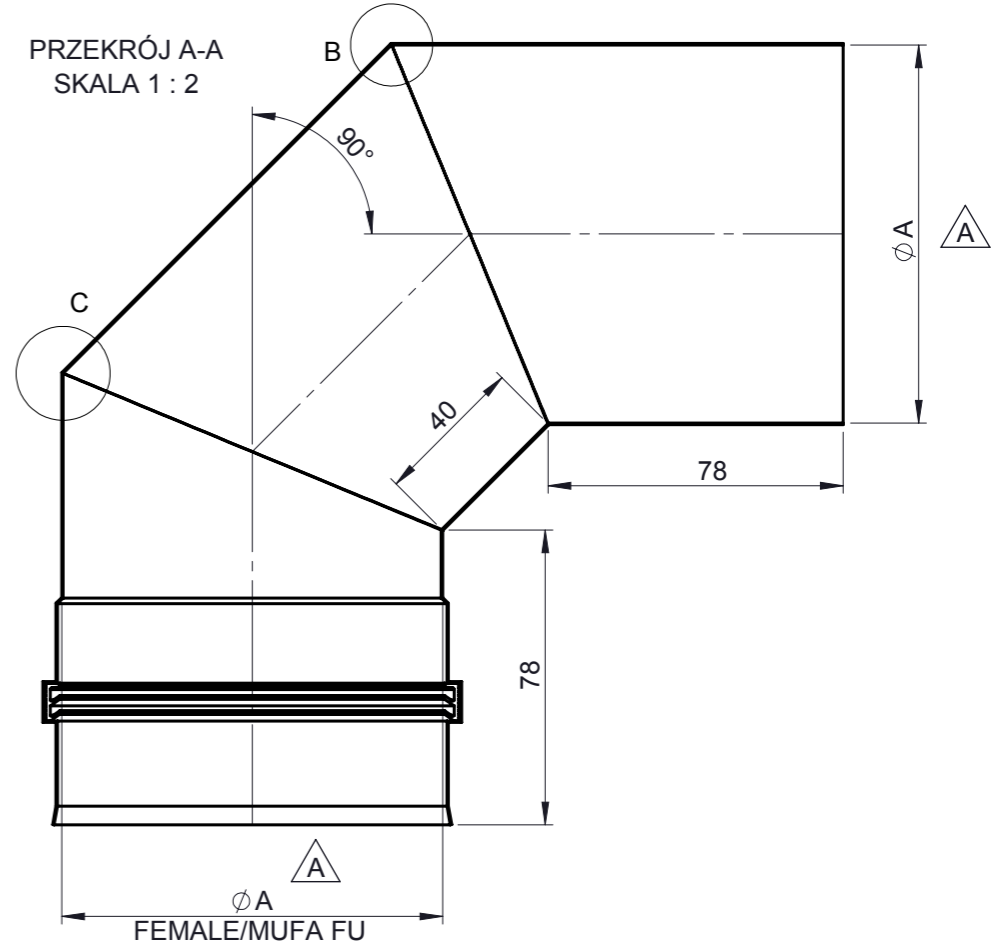
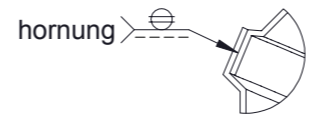
TABLE OF CORRECTIONS (LAST FIVE)					
REVISION	CORRECTION	WZT NO	DESCRIPTION	DATE	NAME
1	A	9/2018	Usunięcie górnej mufy, zmiana dolnej mufy na FU, zmiana nazwy	16.02.18	MBA



SZCZEGÓŁ B
SKALA 1 : 1



SZCZEGÓŁ C
SKALA 1 : 1



Rozwinięcie oraz wymiary mufy według tabeli: T-33

Kod elementu / Code	Malowanie / Painted
EWPV673 ϕ	niemalowane (połysk) / not painted (shiny)
15-EWPV673 ϕ	czarny / black - RAL SI-TS70030020
25-EWPV673 ϕ	szary / grey - RAL FEYCOSIL242-70130

NO	NAME / DIN	NAV	MATERIAL	THICKNESS	QTY
4	Uszczelka	ALBI26 ϕ A	-	-	1
3	Kolano cz. 3		1.4404 IIID	0,4	1
2	Kolano cz. 2		1.4404 IIID	0,4	1
1	Kolano cz. 1		1.4404 IIID	0,4	1

ϕ	080	100			
A	080	100			
	Material inside/outside: 1.4404 (316L) /		Description: Kolano 90° \triangle A	Weight	
	drawn by	15.07.16			MSA
	checked by	15.07.16	PSA	Code	Sheet: 1 of 1
	checked by			Production code	
	checked by			Project	
All rights reserved		approved by: 15.07.16	JWY	Drawing no.: 216 · 1176 · 01 · 2P	Revision Type

© Jeremias GmbH. All rights reserved. also regarding any disposal, exploitation, distribution, as well as in the event of applications for industrial property rights.