

A

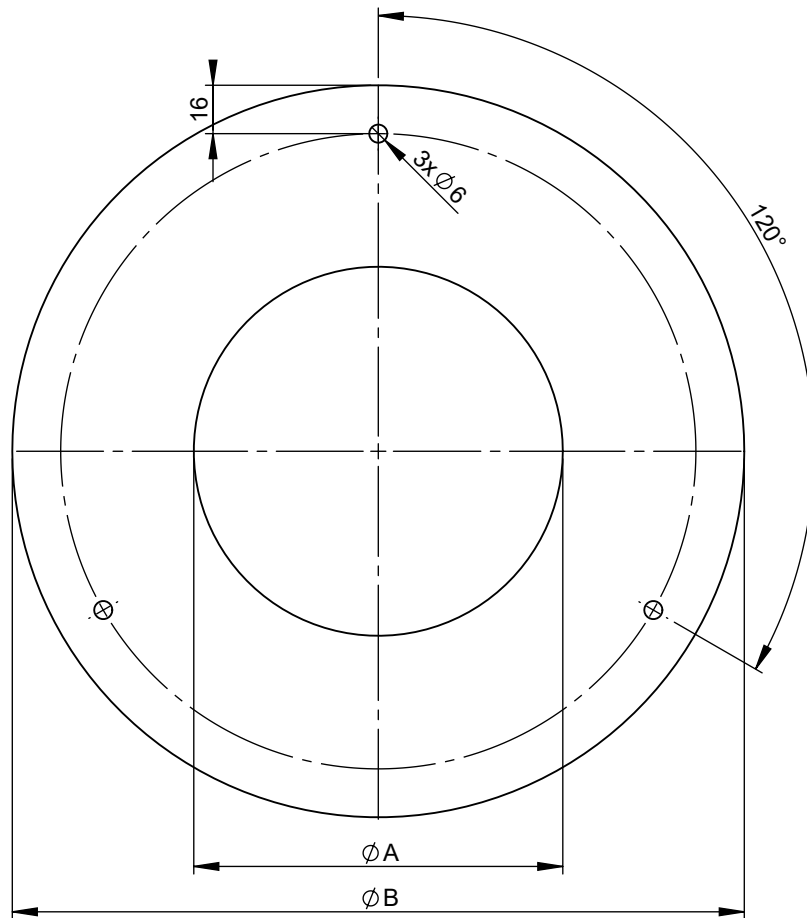
B

C

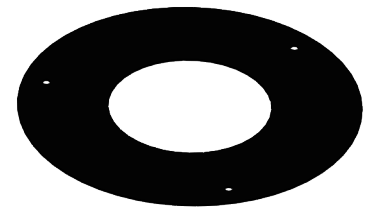
D

E

F



1:5 (100)

**Ferro x...**

- 0 - unpainted
- 1 - SENOTHERM 702.284 black
- 2 - SENOTHERM 702.310 black metallic
- 3 - SENOTHERM 702.288 gray
- 4 - SENOTHERM 800.820 light gray

\varnothing	115	120	125	130	150	160	180	200	250
A	122	129	132	137	157	167	187	207	257
B	242	249	252	257	277	287	307	327	377
kg	0,27	0,28	0,28	0,29	0,32	0,33	0,36	0,39	0,47

notes:

DIN ISO 13920 Tolerances B

revisions-no.

date	name
drawn by	02.01.20 JMA
checked by	02.01.20 SWA
approved by	02.01.20 JWY
modified by	

Jeremias[®]
CHIMNEY SYSTEMS

description Wall plate

code FERROX1697

drawing-no. 06-01-5456-000

scale

1:2

format

A4

sheet

1 of 1

