

A

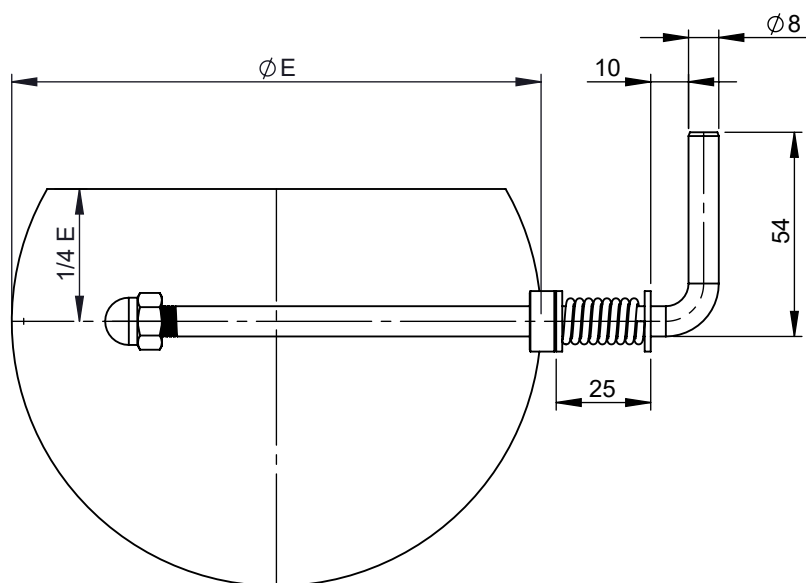
B

C

D

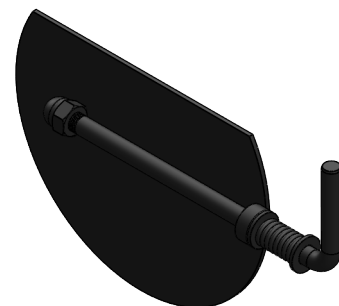
E

F

**Ferro x...**

- 0 - unpainted
- 1 - SENOTHERM 702.284 black
- 2 - SENOTHERM 702.310 black metallic
- 3 - SENOTHERM 702.288 gray
- 4 - SENOTHERM 800.820 light gray

1:3 (150)



Ø	115	120	125	130	150	160	180	200	250
E	105	110	115	120	140	150	170	190	240
kg	0,2	0,22	0,23	0,24	0,3	0,33	0,41	0,48	0,72

notes:

DIN ISO 13920 Tolerances B

revisions-no.

A3

mm / kg

Jeremias[®]
CHIMNEY SYSTEMS

scale

1:2

format

A4

sheet

1 of 1

description Exhaust flap

code FERROX453

drawing-no. 06-01-9370-000

