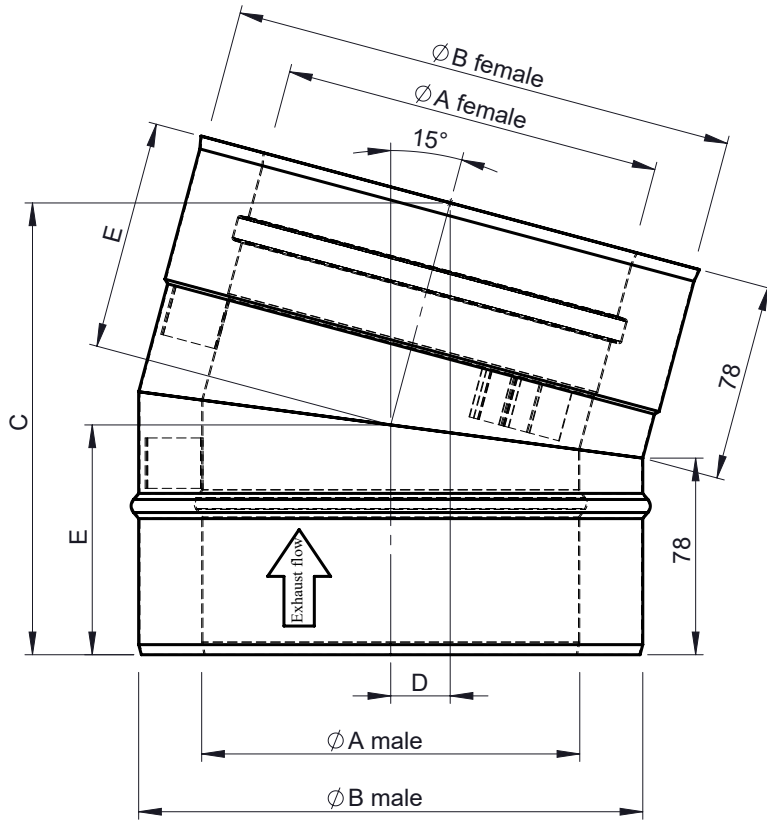
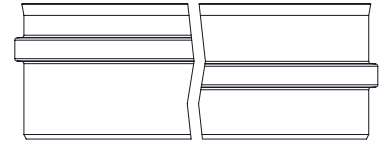
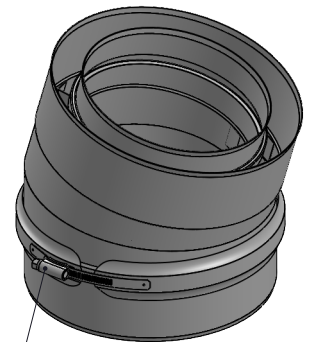


Possible type of female part "FU"



1:6 (150/200)



Incl. system Clamp

| $\varnothing$ | 100/150 | 130/200 | 150/200 |
|---------------|---------|---------|---------|
| <b>A</b>      | 100     | 130     | 150     |
| <b>B</b>      | 150     | 200     | 200     |
| <b>C</b>      | 173     | 179     |         |
| <b>D</b>      | 23      | 24      |         |
| <b>E</b>      | 88      | 92      |         |
| <b>kg</b>     | 0,6     | 0,81    | 0,86    |

notes:  
ENCD

DIN ISO 13920 Tolerances B

revisions-no. A mm / kg

| date                 | name |
|----------------------|------|
| drawn by 20.12.19    | MSA  |
| checked by 20.12.19  | SWA  |
| approved by 20.12.19 | JWY  |
| modified by          |      |

**Jeremias**<sup>®</sup>  
CHIMNEY SYSTEMS

description Elbow 15°

code H-TWIN 16  $\varnothing$

drawing-no. 01-03-03-6001-000

scale

1:6

format

A4

sheet

1 of 1

