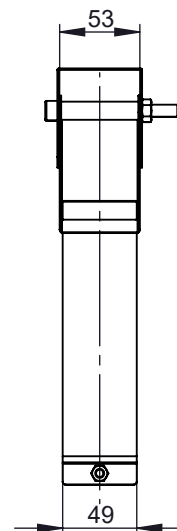
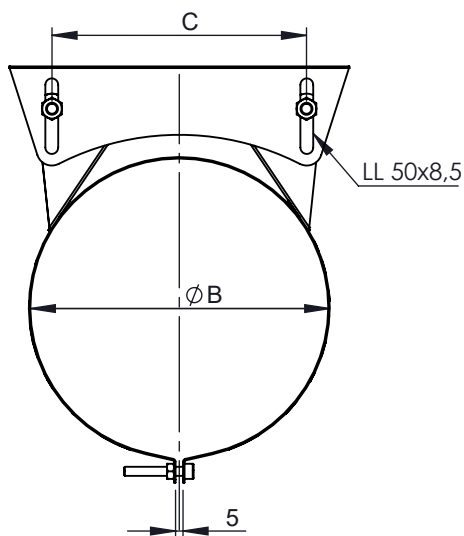
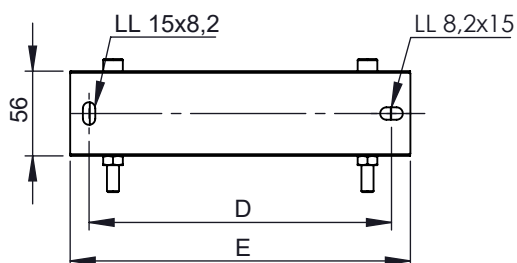


A



B

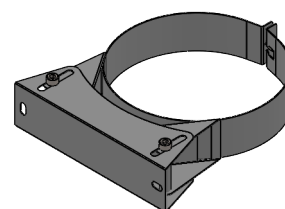
C



D

E

1:8 (150/200)



$\varnothing$	<b>100/150</b>	<b>130/200</b>	<b>150/200</b>
<b>B</b>	150	200	202
<b>C</b>		168,5	
<b>D</b>		200	
<b>E</b>		225	
<b>kg</b>	0,5	0,5	0,5

notes:

ENCD

DIN ISO 13920 Tolerances B

revisions-no.

A

mm / kg

**Jeremias**<sup>®</sup>  
CHIMNEY SYSTEMS

scale

1:8

format

A4

sheet

1 of 1

F

	date	name
drawn by	02.01.20	MSA
checked by	02.01.20	SWA
approved by	02.01.20	JWY
modified by		

description Adjustable wall spacer

code **H-TWIN 22  $\varnothing$** drawing-no. **01-03-03-0238-000**