

A

B

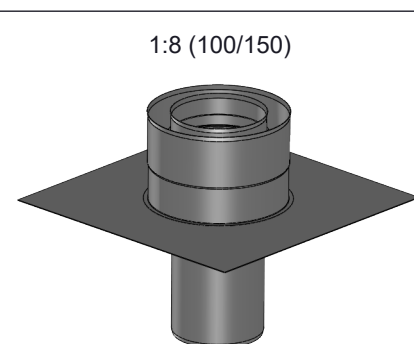
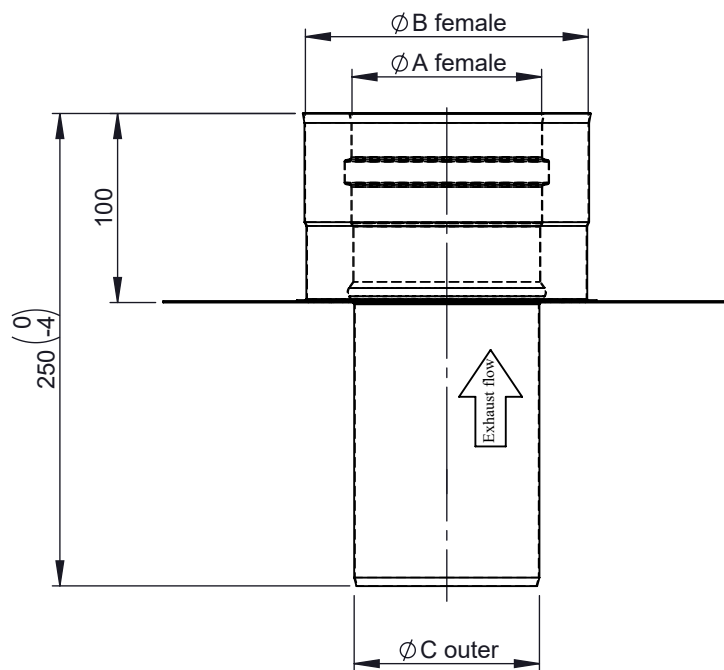
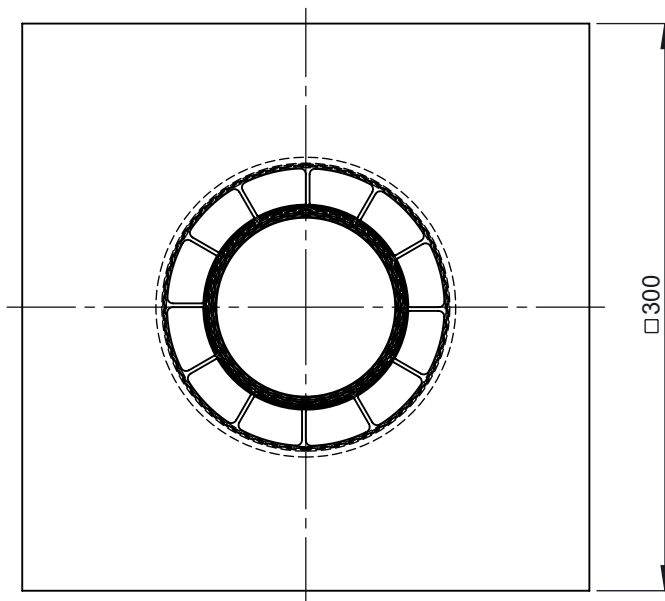
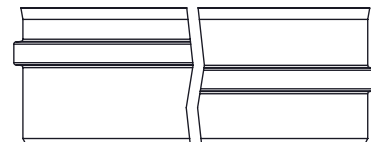
C

D

E

F

Possible type of female part "FU"



$\varnothing$	100/150	130/200	150/200
<b>A</b>	100	130	150
<b>B</b>	150	200	202
<b>C</b>	98	128	148
<b>kg</b>	0,99	1,06	1,16

notes:

DIN ISO 13920 Tolerances B

revisions-no.

	date	name
drawn by	20.12.19	JMA
checked by	20.12.19	SWA
approved by	20.12.19	JWY
modified by		

**Jeremias**<sup>®</sup>  
CHIMNEY SYSTEMS

description **Adaptor H-TWIN - FLEX**code **H-TWIN 466**drawing-no. **03-03-1098-000**

scale

1:10

format

A4

sheet

1 of 1

