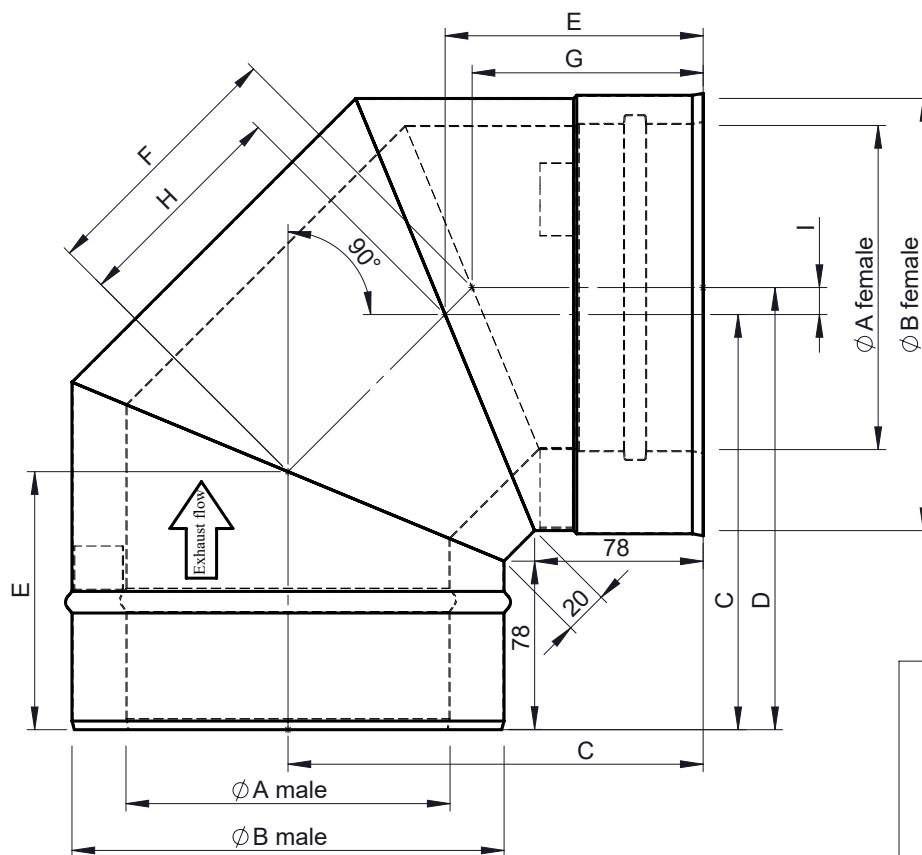
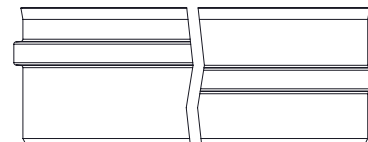
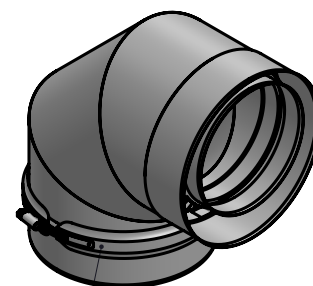


Possible type of female part "FU"



1:8 (150/200)



incl. System Clamp

© Jeremias GmbH. All rights reserved, also regarding any disposal, exploitation, editing, distribution, as well as in the event of applications for industrial property rights.

		<b>100/150</b>	<b>130/200</b>	<b>150/200</b>
<b>Ø</b>				
<b>A</b>		100	130	150
<b>B</b>		150	200	200
<b>C</b>		167		192
<b>D</b>		178	214	204
<b>E</b>		109		119
<b>F</b>		98	134	120
<b>G</b>		97	97	107
<b>H</b>		82		103
<b>I</b>		11,5	22	12,5
<b>kg</b>		0,98	1,47	1,55

notes:

ENCD

DIN ISO 13920 Tolerances B

revisions-no.

A

mm / kg

**Jeremias**<sup>®</sup>  
CHIMNEY SYSTEMS

scale

1:8

format

A4

sheet

1 of 1



description **Elbow 90° to H-TWIN 681**

code **H-TWIN 60F Ø**

drawing-no. **01-03-03-6250-000**

	date	name
drawn by	02.01.20	MSA
checked by	02.01.20	SWA
approved by	02.01.20	JWY
modified by		